

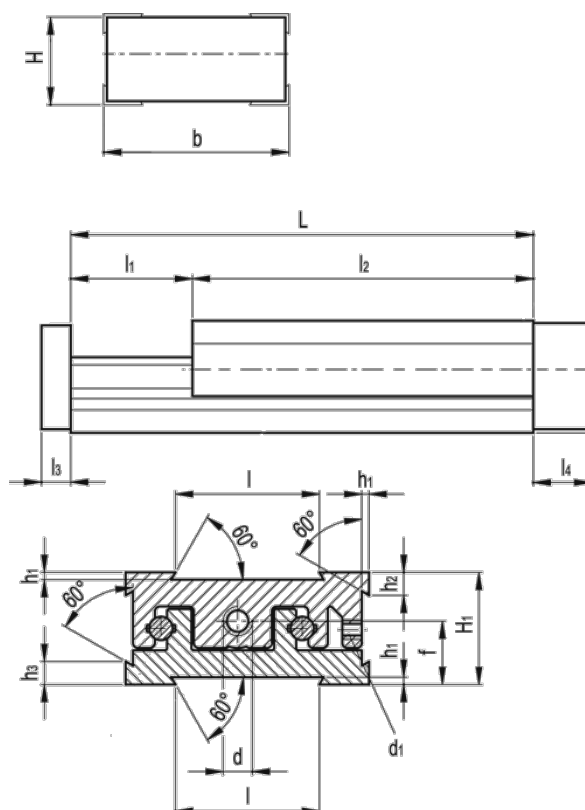
# Data Sheet



Article number: 20782032

Description: Adjustable slide unit  
GN 900-120-235-75-S-1

## Measures



$b = 120$	$h3 = 13.8$
$d = M10 \times 1$	$l = 80$
$d1 = M5$	$L - l1 = 235-75$
$f = 26.3$	$l2 = 160$
$H = 45.0$	$l3 = 10$
$h1 = 2.0$	$l4 = 18$
$H1 = 46$	
$h2 = 13.8$	